

KOMATSU®

PC136

HYDRAULIC EXCAVATOR

PC136



FLYWHEEL HORSEPOWER
66 kW 89 HP / 2200 rpm

OPERATING WEIGHT
13 T

BUCKET CAPACITY
0.64 - 0.70 m³

Excellent Reliability and Durability

- High rigidity work equipment with cast end boom top
- Sturdy frame structure
- High reliability with original Komatsu made Major components
- Heavy duty undercarriage



KOMATSU

Comfortable Cabin and Operating Environment

- Spacious and ergonomic cabin with good visibility and ease of access to controls
- Additional lamps for improved night visibility
- Cabin mesh guard for additional operator safety

High Productivity **0.70** cu.m ME Bucket

- Low resistant excavation with a well-engineered bucket to improve fuel efficiency
- High productivity even in the toughest application with the 'More Efficient' (ME) bucket

KOMTRAX

Information and Communication Technology

- KOMTRAX™ website to optimise your maintenance planning and fleet management



PRODUCTIVITY BEAST

Easy Machine Management

- Long replacement intervals of oils & filters
- Remote mounted engine oil filter, main fuel filter and drain valve for easy access
- Advanced Self-Diagnostic Monitor facilitating easy service monitoring
- Continuous Machine Monitoring System

Unmatched Productivity

- Powered by heavy duty Komatsu SAA4D95LE-3 diesel engine
- Active mode for faster cycle times & faster production
- Advanced CLSS hydraulics for fine control and quick working speeds
- Two Boom Setting: Smooth & Power modes can be toggled to change the operation depending on the application
- High mobility due to better drawbar pull



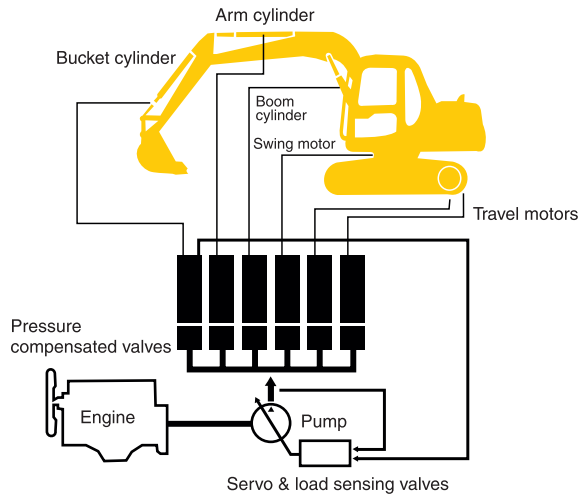
FLYWHEEL HORSEPOWER
66 kW 89 HP / 2200 rpm

OPERATING WEIGHT
13 T

BUCKET CAPACITY
0.64 - 0.70 m³

ADVANCED HYDRAULIC SYSTEM

PC136 is equipped with HydraMind, Komatsu's unique hydraulic system



HydraMind system is one of the most sophisticated yet mechanically convenient hydraulic systems currently available.

The system incorporates many major breakthroughs and has earned Komatsu almost 200 patents.

Benefits of HydraMind

In the HydraMind system, the load-sensing valves and pressure-compensated valves automatically handle all adjustments for individual jobs based on the pressure and the lever stroke detected.

When you move the boom, arm and bucket at the same time, all the equipment work together with the optimum combination of speed and power - as if it were a human hand.

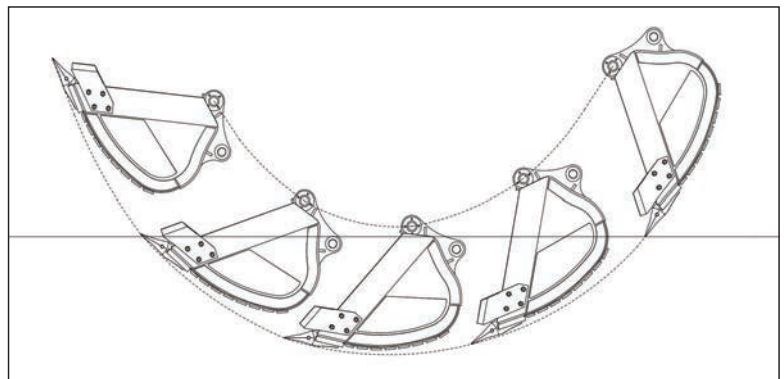
Power, versatility, manoeuvrability, controllability - you name it. Never has an excavator been so easy to operate, so natural, so intuitive. In a sense, you don't really operate it at all, you wear it.

For example, when the ground condition changes in digging, you don't have to think about changing your lever strokes because the HydraMind instantly, silently and automatically sends just the right amount of oil to the actuators at just the right pressure to accommodate the change.

ME BUCKET

High productivity with the latest low-resistant excavation technique

The new ideal bucket profile produces lower resistance inside & outside the bucket. This design not only increases production but also reduces fuel consumption.



STRONG FEATURES

REINFORCED HD ARM



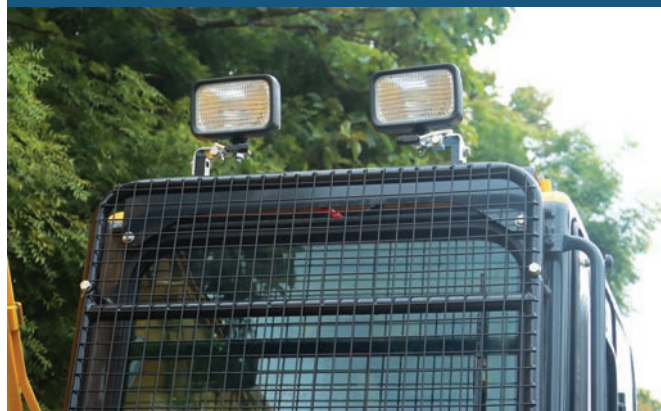
REINFORCED IDLER GUIDE



THICKER TRACK SHOE



ADDITIONAL LAMPS



TURBO PRE-CLEANER



RB KIT CLAMP



CABIN MESH GUARD



SPACIOUS CABIN



COMFORT

PC136



Adjustable Seat and Control Levers

The seat slides forward and backward together with the work equipment control levers to ensure the best operating position at all times.



Lock lever

Locks the hydraulic pressure to prevent unintentional movement. Neutral start function only allows the machine to be started in lock position.

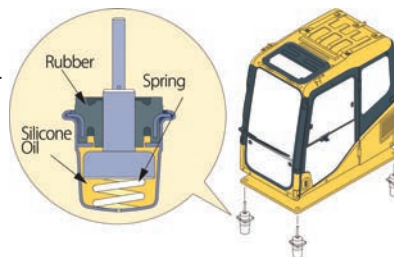


Spacious Cab Interior

The cab interior is spacious. An ergonomically-designed operator's seat and slide mechanism allows the operator to position the controllers for maximum productivity and comfort.

Low vibration with cab damper mounting

A multi-layer viscous mount system incorporates a long stroke along with a spring. The new cab damper mounting combined with a high rigidity deck reduces vibration at the operator's seat.

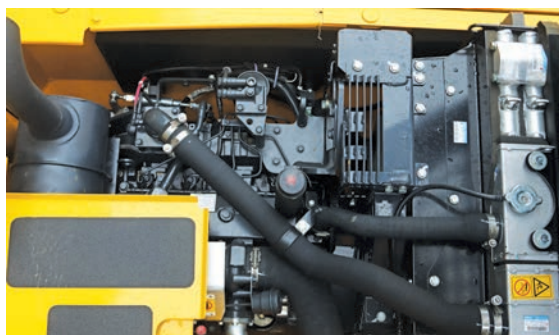


Protective Guards

Thermal guard placed around high temperature parts of the engine provides adequate protection against accidental contacts, while the fan guard wards off impending hazards.

Skid-Proof Surface

The steps with its skid-proof surface provide safer grip while on the machine for maintenance and servicing.



ICT & KOMTRAX

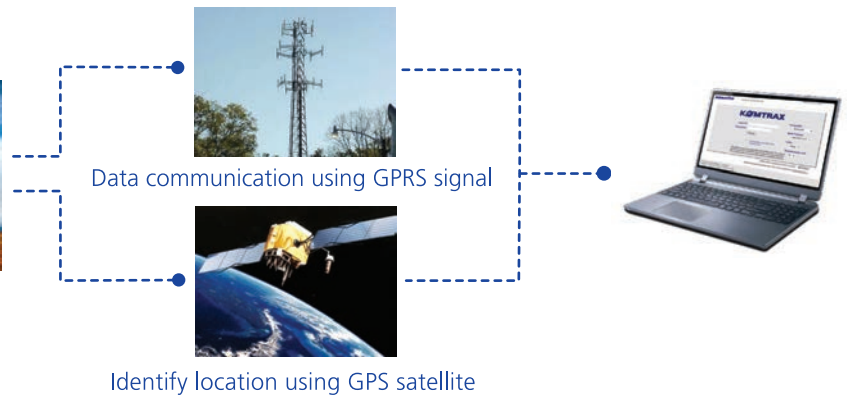


KOMTRAX™ is a revolutionary machine tracking system designed to save your time and money. You can now monitor your equipment anytime and anywhere. Use valuable machine data received via the KOMTRAX™ website to optimise your maintenance planning and fleet management.

KOMTRAX™ assists you with:

- **Full machine monitoring**
Get detailed operation data to know when your machines are used
- **Total fleet management**
Keep track of the location of your machines at all times and discourage unauthorized usage
- **Easy access to machine information**
Machine working details can be easily obtained from anywhere using internet facility

Monitor your machine from anywhere, anytime for complete peace of mind!



Summary – Location / SMR / Working

Summary - Location/SMR/Working

Working hour record

Monthly Working Record

Date	Working Status	Working Hour
14/04/2015	00:00 08:00 12:00 18:00 24:00	9.0 H
13/04/2015	00:00 08:00 12:00 18:00 24:00	8.2 H
12/04/2015	00:00 08:00 12:00 18:00 24:00	5.7 H
11/04/2015	00:00 08:00 12:00 18:00 24:00	7.5 H
10/04/2015	00:00 08:00 12:00 18:00 24:00	0.0 H
09/04/2015	00:00 08:00 12:00 18:00 24:00	0.0 H
08/04/2015	00:00 08:00 12:00 18:00 24:00	0.0 H
07/04/2015	00:00 08:00 12:00 18:00 24:00	6.8 H

Machine location record

Machine Location Record

No.	Event	Event Time	GPS Time	LAT	LON
1	Daily Data	04-10-2015 01:34:23	04-10-2015 01:34:23	N11 20 17.225	E 77
2	Daily Data	04-15-2015 01:33:23	04-15-2015 01:33:23	N11 20 18.30	E 77
3	Daily Data	04-14-2015 01:36:23	04-14-2015 01:36:23	N11 20 17.255	E 77
4	Daily Data	04-13-2015 01:33:23	04-13-2015 01:33:23	N11 20 18.61	E 77
5	Daily Data	04-12-2015 01:36:23	04-12-2015 01:36:23	N11 20 18.30	E 77
6	Daily Data	04-11-2015 01:30:23	04-11-2015 01:30:23	N11 20 33.184	E 77

Monthly status summary

Monthly Status Summary

Monthly Operation Status

Days of Operation	Accumulated Monthly SMR	Avg. SMR /Day
7	40.0H	5.7H

Monthly Movement Status

Days of Movement
4

ATTACHMENT

Komatsu Genuine Attachment Tool

Komatsu recommends a wide range of attachment tools for Hydraulic Excavators provided to suit customer's specific applications.

Hydraulic Breaker

Hydraulic Breaker is an attachment tool used for crushing rock beds, paved surfaces and demolishing concrete structures, etc. The large gas chamber, ideal gas pressure ratio and long-stroke piston deliver a powerful impact force. Since the breaker unit does not require an accumulator, the number of parts has been reduced, resulting in lower maintenance costs.

Komatsu Breakers deliver high impact force with every blow thus, an ideal choice for primary and second breaking.

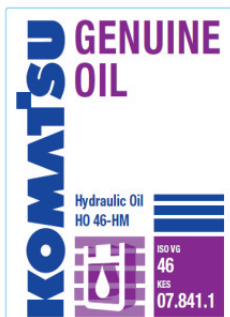
Model type	JTHB120-3	
Working weight	kg	950
Oil flow	l/min	80~120
Operating pressure	Mpa	14~18
Impact rate	bpm	450~720
Chisel diameter	mm	∅ 105

- Accumulator-free design
- High Impact Energy
- High Reliability & Durability
- Low Operating Cost



Komatsu Genuine Oil

Hydraulic Oil (HO46-HM)



- Maintains and enhances the efficiency of the hydraulic system through high performance properties such as water separation, air release, antifoam characteristics, cleanliness and filterability
- Excellent wear protection delivered via zinc-based anti-wear additives
- Superior protection against rust and copper corrosion

Powertrain Oil (TO30)



- Excellent protection of gears, bearings
- Very high thermal and oxidation stability
- Highly consistent and reliable friction performance which ensures minimum clutch slippage, smooth and quiet brake operation and trouble free transmission operation.

New Diesel Engine Oil (15W-40 DH1)

- New 15W-40 DH1 Diesel Engine oil meets API CI4 Specifications
- Introducing all new high grade premium oil in India.



SPECIFICATIONS



ENGINE

ModelKomatsu **SAA4D95LE-3**
 Type..... Water-cooled, direct injection
 AspirationTurbocharged, after-cooled
 Number of cylinders4
 Bore..... 95 mm 3.74"
 Stroke 115 mm 4.53"
 Piston displacement **3.26 ltr** 199 cu.in
 Flywheel horsepower:
 SAE J1349..... **89 HP** 66 kW @ 2200 rpm
 DIN627090 PS 66 kW @ 2200 rpm
 GovernorAll-speed control, mechanical

Meets 2001 EPA, EU, and Japan Tier-II emission regulations.



HYDRAULICS

Type **HydrauMind** (Hydraulic Mechanical Intelligence New Design) system, closed-center system with load sensing valves and pressure compensated valves

Number of selectable working modes4

Main Pump:

Type..... Variable displacement piston type pumps supplying Boom, arm, bucket, swing, and travel circuits

Maximum flow..... **226 ltr/min** 59.7 US gal/min

Supply for control circuit..... Self-reducing valve

Hydraulic motors:

Travel.....2 x axial piston motor with parking brake

Swing..... 1 x axial piston motor with swing holding brake

Relief valve setting:

Implement circuits..... **31.87 MPa** 325 kgf/cm² 4,622 psi

Travel circuit **34.81 MPa** 355 kgf/cm² 5,049 psi

Swing circuit **28.92 MPa** 295 kgf/cm² 4,195 psi

Pilot circuit..... **2.94 MPa** 30 kgf/cm² 426 psi

Hydraulic cylinders:

(No of cylinders – bore x stroke x rod dia)

Boom..... 2 – 105 mm x 990 mm x 70 mm

Arm 1 – 115 mm x 1175 mm x 75 mm

Bucket..... 1 – 95 mm x 885 mm x 65 mm



SWING SYSTEM

Drive method Hydrostatic

Swing circle lubrication..... Grease-bathed

Service brake Hydraulic lock

Holding brake/Swing lock..... Mechanical disc brake

Swing speed 0~11 rpm

Swing reduction Planetary Gear



BACKHOE BUCKET, ARM AND BOOM COMBINATION

Application	Bucket Capacity (heaped)	Width		Weight	Number of Teeth	Arm length
	SAE, PCSA	Without Side cutters	With Side cutters	With Side cutters		2.1 m 6'10"
ME Bucket	0.70m³ 0.91 yd ³	1080 mm 42.52"	1210 mm 47.64"	575 kg 1267 lb	5	○
Rock / Quarry	0.64m³ 0.83 yd ³	—	1050 mm 41.34"	545 kg 1201 lb	5	○

These figures are based on operating conditions with maximum bucket load, maximum reach and ensured lateral stability.

○ : Material weight not over 1.8t/m³

□ : Material weight not over 1.5t/m³



DRIVES AND BRAKES

Steering control Two levers with pedals

Drive method Hydrostatic

Maximum drawbar pull **100 kN** 10200 kgf 22,486 lb

Gradeability70%, 35°

Maximum travel speed:.....

High **5.01 km/h** 3.11 mph

(Auto-Shift) Low..... **2.70 km/h** 1.67 mph

Service brakeHydraulic lock



UNDERCARRIAGE

Centre frame X-frame

Track frame Box-section

Seal of track Sealed track

Track adjuster Hydraulic

Number of shoes (each side)43

Number of carrier rollers..... 1 each side

Number of track rollers (each side).....7



COOLANT AND LUBRICANT CAPACITY (REFILLING)

Fuel tank **247 ltr** 65.25 U.S. gal

Radiator..... **13.4 ltr** 3.53 U.S. gal

Engine..... **11 ltr** 2.9 U.S. gal

Final drive (each side)..... **2.1 ltr** 0.55 U.S. gal

Swing drive **2.5 ltr** 0.66 U.S. gal

Hydraulic tank..... **90 ltr** 23.77 U.S. gal



OPERATING WEIGHT (APPROXIMATE)

Operating weight including 4.6 m 15'1" one-piece boom, 2.1 m 6'10" arm, SAE heaped 0.64 m³ 0.83 yd³ bucket capacity, lubricants, coolant, full fuel tank, operator and standard equipment.

KOMATSU PC136		
Shoes	Operating Weight	Ground Pressure
500 mm	12,700 kg	0.40 kg/cm ²
600 mm	12,880 kg	0.35 kg/cm ²

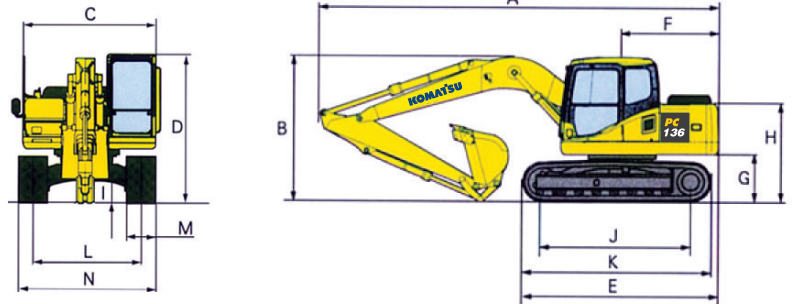
SPECIFICATIONS

PC136

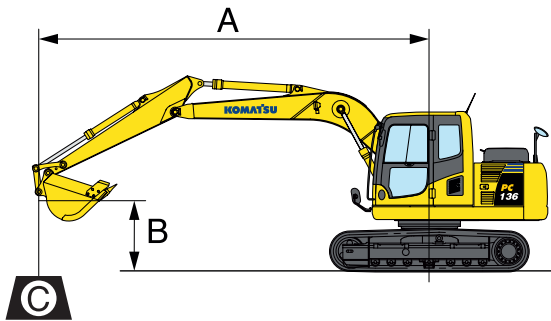


MACHINE DIMENSIONS

	Arm Length	2100 mm
A	Length on ground (transporting)	7590 mm
B	Overall height (top to bottom)	2620 mm
C	Width of upper structure	2490 mm
D	Total height (to top of cabin)	2810 mm
E	Overall length of basic machine	3985 mm
F	Distance from swing center to tail	2170 mm
G	Clearance under counterweight	855 mm
H	Counterweight height	1885 mm
I	Minimum ground clearance	400 mm
J	Track length on ground	2880 mm
K	Track length	3610 mm
L	Track gauge	1990 mm
M	Width of track shoe	500 mm
N	Overall track width	2490 mm



LIFTING CAPACITY



- A : Reach for swing centre
- B : Bucket height
- C : Lifting Capacity
- Cf : Rating over front
- Cs : Rating over side
- ☉ : Rating at maximum reach

- Conditions:
- 4600 mm 15'1" one-piece boom
 - 0.64 m³ 0.83 yd³ SAE heaped bucket
 - 500 mm 20" triple-grouser shoe
 - 2.1m Arm

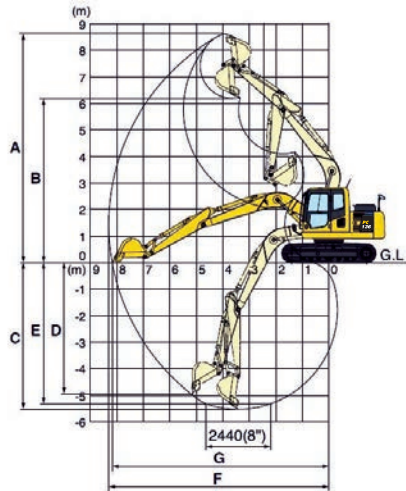
Unit kg & lb

Reach A B Height	Max. Reach ☉		6 m		4.5 m		3 m		1.5 m	
	Cf	Cs	Cf	Cs	Cf	Cs	Cf	Cs	Cf	Cs
6 m 19' 8"	2600 * 5730*	2350 5180			3150 * 6940*	3050 6720				
4.5 m 14' 9"	2400 * 5290*	1650 3530	2600 5730	1750 3860	3300 * 7280*	3000 6610				
3 m 9' 10"	2050 4520	1350 2960	2600 5730	1700 3750	4000 * 8820*	2850 6280	5600 * 12350*	5600 * 12350*		
1.5 m 4' 11"	1900 4190	1200 2650	2500 5510	1600 3530	4000 8820	2600 5730	6300 * 13890*	4850 10690		
0 m	1950 4300	1250 2760	2400 5290	1500 3310	3800 8380	2400 5290	5800 * 12880*	4500 9920		
-1.5 m -4' 11"	2200 4850	1400 3090	2350 5180	1500 3310	3700 8160	2350 5180	5850 * 12900*	4450 9810	5450 * 12020*	5450 * 12020*
-3 m -9' 10"	2900 6390	1850 4080			3750 8270	2350 5180	6400 * 14110*	4550 10030	5800 * 12790*	5800 * 12790*

* Load is limited by hydraulic capacity rather than tipping.
 Ratings are based on SAE Standard No. J1097.
 Rated loads do not exceed 87% of hydraulic lift capacity or 75% of tipping load.



WORKING RANGE



	Arm Types	2.1 m
A	Maximum digging height	8345 mm
B	Maximum dumping height	5905 mm
C	Maximum digging depth	5115 mm
D	Maximum vertical wall digging depth	4520 mm
E	Maximum digging depth of cut for 8' level	4875 mm
F	Maximum digging reach	7925 mm
G	Maximum digging reach at ground level	7795 mm
	Bucket digging force (ISO)	86.29 kN
	Bucket maximum digging force (ISO)	93.16 kN
	Arm crowd force (ISO)	70.60 kN
	Arm maximum crowd force (ISO)	77.47 kN



STANDARD EQUIPMENT

- 2-speed hydrostatic travel system with planetary gear unit and hydraulic brake disc
- 4 working mode selection system; active mode, economy mode, breaker mode and lifting mode
- 500mm triple grouser track
- Adjustable suspension seat
- Alternator 24V/35A
- Arm 2100 mm
- Auto deceleration function
- Battery 2 x 12V/65Ah
- Boom safety valves
- Corrosion resistor
- Double-element air cleaner with dust indicator and automatic dust evacuator
- Electric horn
- Electronic closed centre load sensing (E-CLSS) hydraulic system (HydrauMind)
- Engine overheat prevention system
- Engine stop key
- Fan guard structure
- Fuel control dial
- Komatsu SAA4D95LE-3, 66 kW direct injection, after-cooled, turbocharged engine
- Large handrails and rear view mirror
- Lockable fuel tank cap and cover
- Monitor panel – 7 segment
- One piece boom 4600 mm
- Power Max function
- PPC control levels and pedals for steering and travelling
- Pre-Fuel Filter
- Spare parts catalogue and operation/maintenance manual
- Standard counterweight
- Standard signs (labels)
- Starter motor 24V/3.0kw
- Toolkit
- Track roller – 7 each side
- Water separator
- Working lights – 2 (Boom & RH)



OPTIONAL EQUIPMENT

- Air-Cooler
- Bolt on top and front guard (Operator protective guard)
- Rock Breaker adaptation kit
- Service valve
- Arm 2500mm
- 600mm triple grouser track

Product improvement is a continuous process. Specifications given in this publication are therefore subject to change without notice. Photographs depicted may be of optional equipment

M E M O

PC136 HYDRAULIC EXCAVATOR

PC136



www.komatsuindia.in

EQUIP-CARE

Customer Care Number

1800 833 9990

KOMATSU[®]



Marketed & Serviced by:

L&T Construction Equipment

Larsen & Toubro Limited

1st Floor, Lakshminarayan Complex, 10/1 Palace Road Bengaluru - 560 052 Tel: 080 40401700

Visit: www.Lntcmb.com



L&T Construction & Mining Machinery



[Larsentoubro.cmb](https://www.instagram.com/Larsentoubro.cmb)

Zonal Offices:

Delhi (011) 40819500

Kolkata (033) 44002433/22831442

Pune (020) 48544259

Jaipur (0141) 4385900

Nagpur (0712) 6606441/2260025

Hyderabad (040) 47575064

Chennai (044) 40706864

CIN: L99999MH1946PLC004768

Materials and specifications are subject to change without notice.

KOMATSU is a trademark of Komatsu Ltd. Japan.